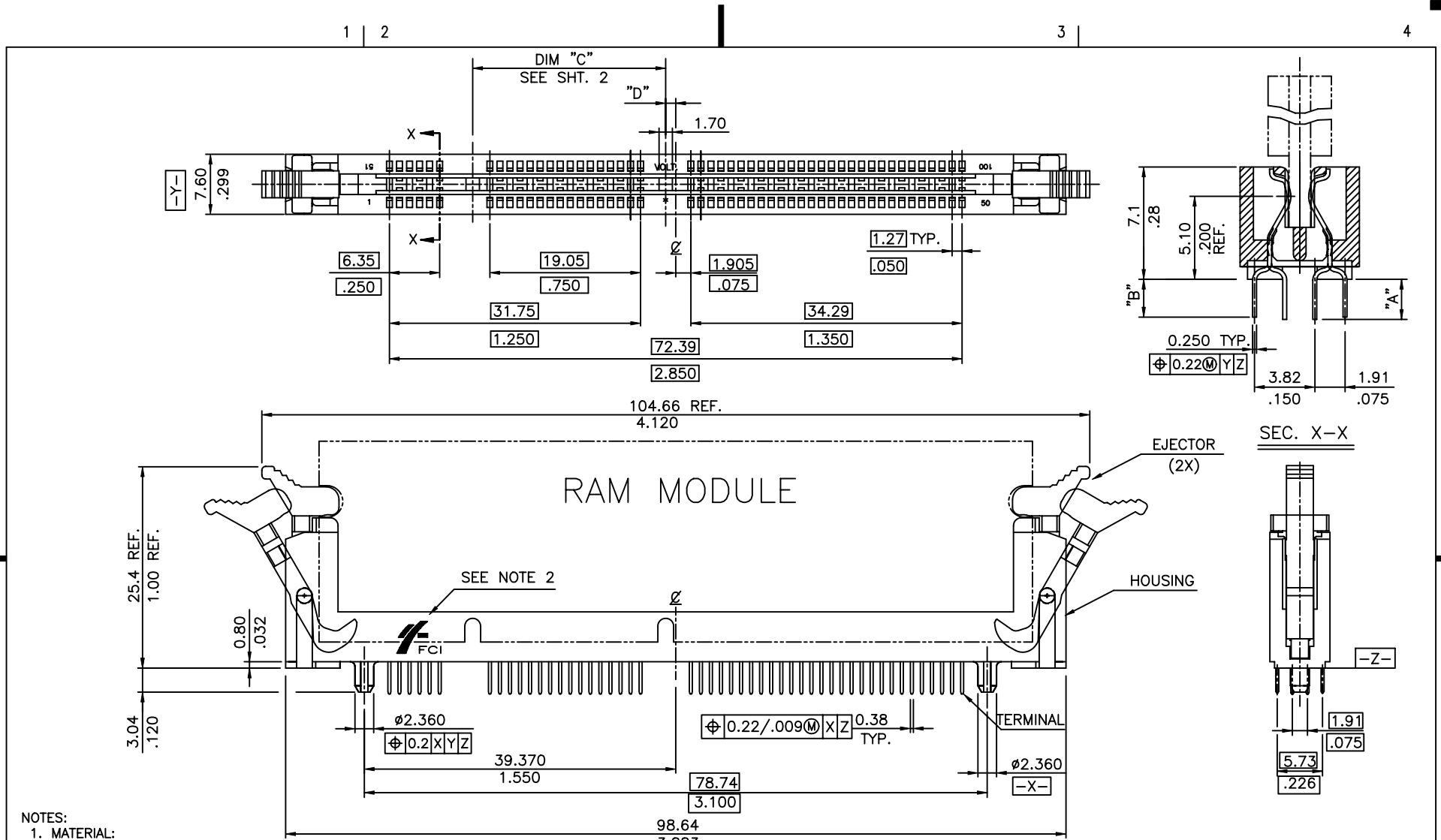


Tous droits strictement réservés. Reproduction ou communication a des tiers interdite sous quelque forme que ce soit sans autorisation écrite du propriétaire. Propriété de c FCI. Droits de reproduction FCI.

All rights strictly reserved. Reproduction or issue to third parties in any form whatever is not permitted without written authority from the proprietor. Property of FCI. Copyright FCI.



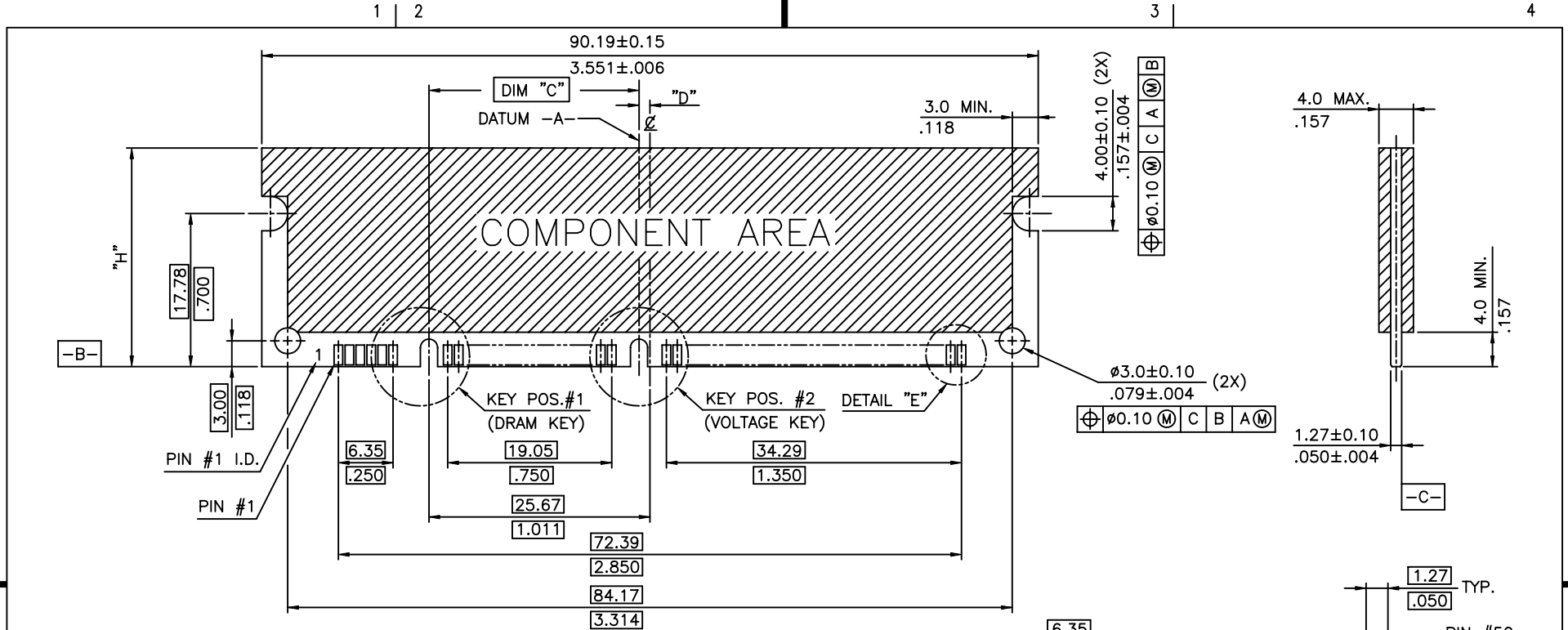
NOTES:

- MATERIAL:
HOUSING: HIGH TEMP. NYLON 46 OR THE EQUIVALENT APPROVED BY FCI, 40% GF, UL94V-0 RATED, NATURAL COLOR OR BLACK, SEE TABULATION SHEET 4.
EJECTOR: HIGH TEMP. NYLON 46 OR THE EQUIVALENT APPROVED BY FCI, 40% GF, UL94V-0 RATED, NATURAL COLOR OR BLACK, SEE TABULATION SHEET 4.
TERMINAL: PHOSPHOR BRONZE COPPER ALLOY.
- FCI LOGO TO BE APPROXIMATELY LOCATED AS SHOWN ON PRINT.
- PRODUCT SPECIFICATIONS: GS-12-066.
- PACKAGING SPECIFICATIONS: GS-14-544.
- THIS PRODUCT MEETS EUROPEAN UNION DIRECTIVES AND OTHER COUNTRY REGULATIONS AS DESCRIBED IN GS-22-008.
- THE HOUSING WILL WITHSTAND EXPOSURE TO 260° PEAK TEMPERATURE FOR 10 SECONDS IN A WAVE SOLDER APPLICATION.

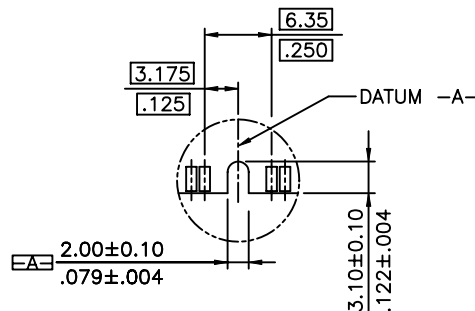
mat'l. code				tolerances unless otherwise specified			CUSTOMER COPY		 www.fciconnect.com		
ltr	ecn no	dr	date	linear	.X ±0.38/.015	projection	title				
A	T10205	M W	07/24/01		.XX ±0.25/.010		DIMM 100P V/T FORM TYPE ASS'Y				
B	T10355	M W	12/10/01		.XXX ±0.13/.005		product family DIMM code				
C	T20289	M W	09/24/02	angles	0° ±2°	MM	size		TWN		
D	T03-0031	M W	01/23/03	dr	MAGGIE WU 12/19/00	scale	56441		sheet		
E	T04-0012	M W	01/08/04	enr	BEN TSAO 12/19/00		A4		1 of 4		
F	T05-0014	R C	01/14/05	chr	BEN TSAO 12/19/00		cage code				
sheet index				revision sheet	F 1	C 2	C 3	F 4			

Tous droits strictement réservés. Reproduction ou communication a des tiers interdite sous quelque forme que ce soit sans autorisation écrite du propriétaire. Propriété de c FCI. Droits de reproduction FCI.

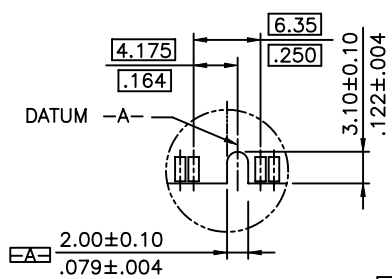
All rights strictly reserved. Reproduction or issue to third parties in any form whatever is not permitted without written authority from the proprietor. Property of FCI. Copyright FCI.



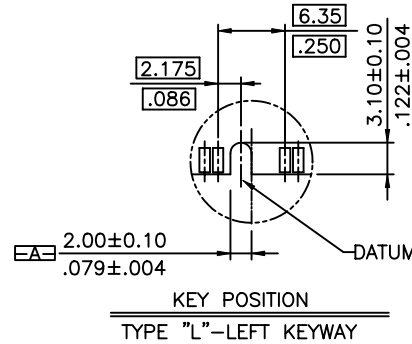
RECOMMENDED MODULE LAYOUT



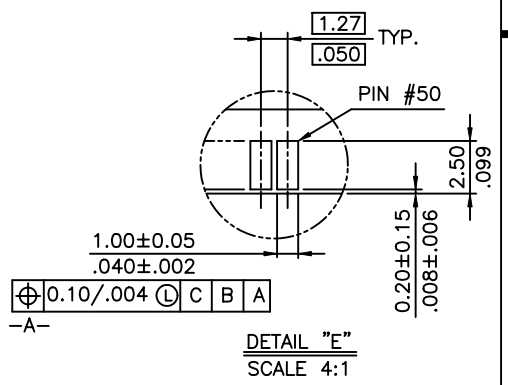
KEY POSITION
TYPE "C" - CENTER KEYWAY



KEY POSITION
TYPE "R" - RIGHT KEYWAY



KEY POSITION
TYPE "L" - LEFT KEYWAY



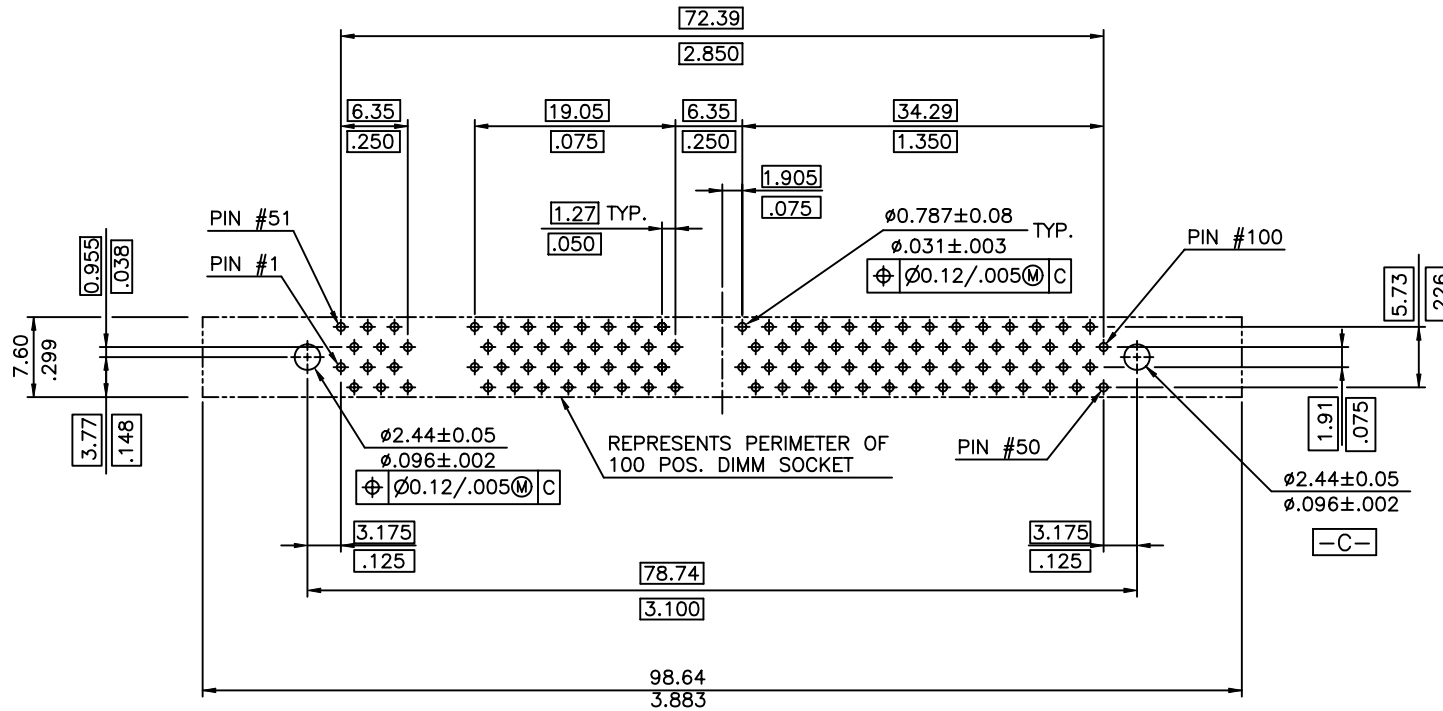
DETAIL "E"
SCALE 4:1

VARIATION	KEY POS. #1	KEY POS. #2	DESCRIPTION	DIM "C"	"D"	"H"
U1	TYPE "R"	TYPE "L"	FOR UNBUFFERED DRAM, 5.0 VOLT.	23.40/.921	2.27	25.40
U2	TYPE "R"	TYPE "C"	FOR UNBUFFERED DRAM, 3.3 VOLT.	24.40/.961	1.27	25.40
U3	TYPE "R"	TYPE "R"	FOR DDR DRAM, 2.5 VOLT	25.40/1.00	0.27	30.50


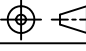
mat'l. code		tolerances unless otherwise specified		CUSTOMER COPY		 www.fciconnect.com	
ltr	ecn no	dr	date	linear	.X ±0.38/.015	projection	title
C					.XX ±0.25/.010	 MM	DIMM 100P V/T FORM TYPE ASS'Y
					.XXX ±0.13/.005		
				angles	0° ±2°	product family	DIMM
				dr	MAGGIE WU 12/19/00	size	dwg no
				engr	BEN TSAO 12/19/00	scale	56441
				chr	BEN TSAO 12/19/00	sheet	2 of
				appd	JENN TSAO 12/19/00		
sheet index	revision sheet						

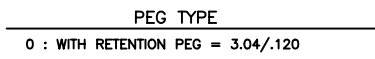
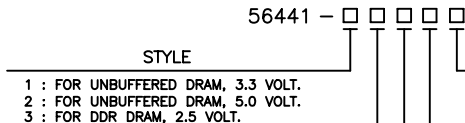
Tous droits strictement réservés. Reproduction ou communication a des tiers interdite sous quelque forme que ce soit sans autorisation écrite du propriétaire. Propriété de c FCI. Droits de reproduction FCI.

All rights strictly reserved. Reproduction or issue to third parties in any form whatever is not permitted without written authority from the proprietor. Property of FCI. Copyright FCI.



RECOMMENDED CIRCUIT BOARD HOLE LAYOUT

mat'l. code		tolerances unless otherwise specified		CUSTOMER COPY		 www.fciconnect.com	
ltr	ecn no	dr	date	linear	.X ±0.38/.015	projection	title
C					.XX ±0.25/.010		DIMM 100P V/T FORM TYPE ASS'Y
				angles	.XXX ±0.13/.005		
					0° ±2'	MM	product family
				dr	MAGGIE WU 12/19/00		DIMM
				enrg	BEN TSAO 12/19/00	scale	code
				chr	BEN TSAO 12/19/00	1.5:1	TWN
				appd	JENN TSAO 12/19/00	A4	sheet
sheet	revision						3 of
index	sheet						



TAIL LENGTH

CODE	DIM. "A"	DIM. "B"
0	2.54 .100	2.39 .094
1	3.30 .130	3.15 .124

PLATING

CODE	CONTACT	SOLDERTAIL	UNDERPLATE
1	150μ*(3.81μm) MIN. TIN/LEAD		
2	15μ*(0.38μm) MIN. GOLD	100μ*(2.54μm)	
3	30μ*(0.76μm) MIN. GOLD	MIN. TIN/LEAD	
4	3μ*(0.076μm) MIN. GOLD		50μ* (1.27μm) MIN. NICKEL OVERALL
6LF	150μ*(3.81μm) MIN. 100% TIN		
7LF	15μ*(0.38μm) MIN. GOLD	100μ*(2.54μm)	
8LF	30μ*(0.76μm) MIN. GOLD	MIN. 100% TIN	
9LF	3μ*(0.076μm) MIN. GOLD		

COLOR OF HOUSING AND EJECTOR

0 : BLACK HOUSING + IVORY EJECTOR
 1 : IVORY HOUSING + BLACK EJECTOR

PROD. NO.	DIM."A"	DIM."B"	DIM."C"	DIM."D"	COLOR HOUSING	COLOR EJECTOR	STYLE	MARKING #2 STYLE	MARKING #1 STYLE
56441-1000*	2.54 .100	2.39 .094	24.40 .961	1.27 .05	BLACK	IVORY	FOR UNBUFFERED DRAM, 3.3 VOLT.	NONE	3.3
56441-1001*					IVORY	BLACK			
56441-1010*	3.30 .130	3.15 .124			BLACK	IVORY			
56441-1011*					IVORY	BLACK			
56441-2000*	2.54 .100	2.39 .094	23.40 .921	2.27 .089	BLACK	IVORY	FOR UNBUFFERED DRAM, 5.0 VOLT.	NONE	5.0
56441-2001*					IVORY	BLACK			
56441-2010*	3.30 .130	3.15 .124			BLACK	IVORY			
56441-2011*					IVORY	BLACK			
56441-3000*	2.54 .100	2.39 .094	25.40 1.00	0.27 .010	BLACK	IVORY	FOR DDR DRAM, 2.5 VOLT.	NONE	2.5
56441-3001*					IVORY	BLACK			
56441-3010*	3.30 .130	3.15 .124			BLACK	IVORY			
56441-3011*					IVORY	BLACK			

REMARK : 1. PROD. NO. MARK "*" SEE ABOVE PART NO. PLATING CODE DESCRIPTION.
 2. SEE DESCRIPTION UNDER PLATING FOR THE MARK "*" IN THE COLUMN OF TERMINAL PART NO..

mat'l. code		tolerances unless otherwise specified		CUSTOMER COPY		A FCI www.fciconnect.com	
ltr	ecn no	dr	date	linear	.X ±0.38/.015	projection	title DIMM 100P V/T FORM TYPE ASS'Y
F					.XX ±0.25/.010		
					.XXX ±0.13/.005		
				angles	0° ±2°	product family	DIMM
				dr	MAGGIE WU 12/19/00	code	TWN
				enr	BEN TSAO 12/19/00	size	dwg no
				chr	BEN TSAO 12/19/00	scale	56441
				appd	JENN TSAO 12/19/00	1:1	sheet 4 of
sheet index	revision sheet						

Tous droits strictement reserves. Reproduction ou communication a des tiers interdite sous quelque forme que ce soit sans autorisation ecrite du proprietaire. Propriete de c FCI. Droits de reproduction FCI.

All rights strictly reserved. Reproduction or issue to third parties in any form whatever is not permitted without written authority from the proprietor. Property of FCI. Copyright FCI.



A

B